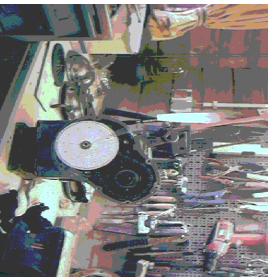


” CD Player ”

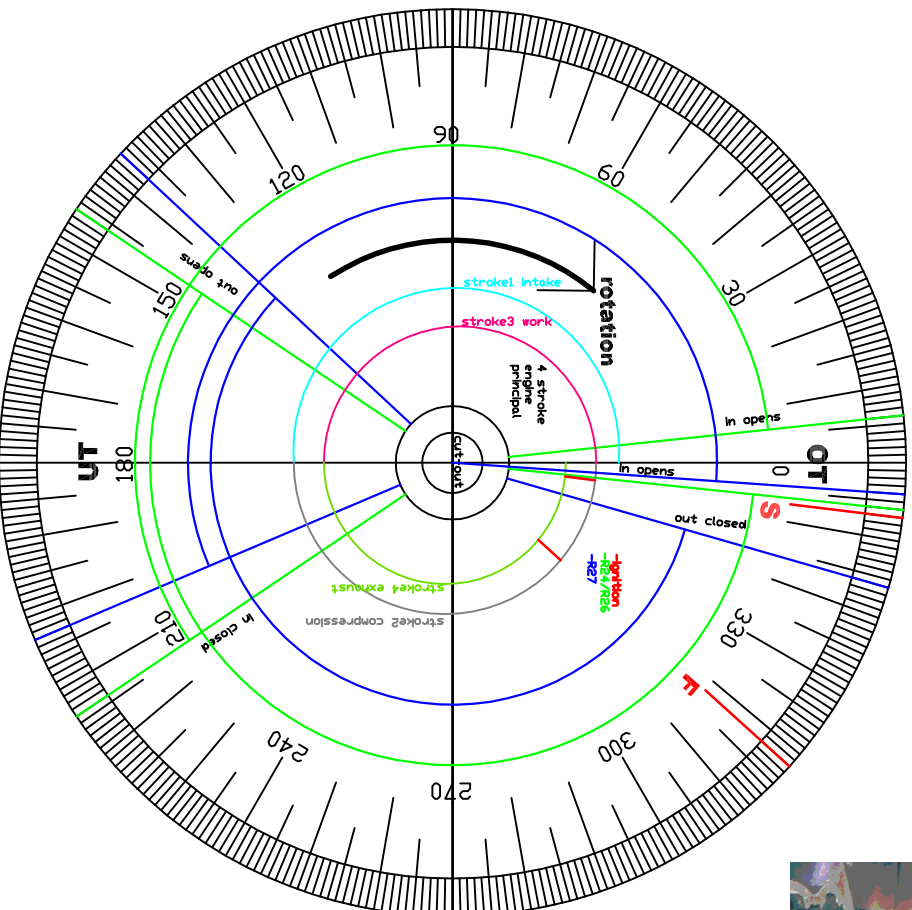
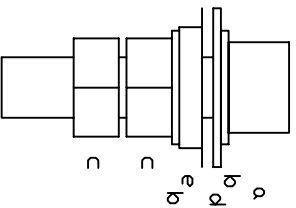
Degree indicator
dish R24-R27

degree indicator
fits on standard
CD

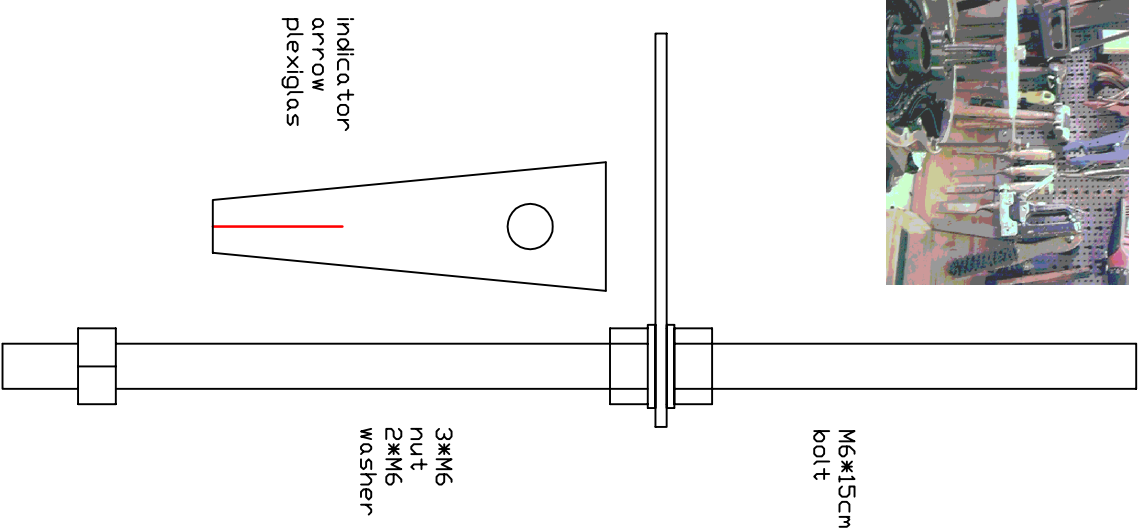
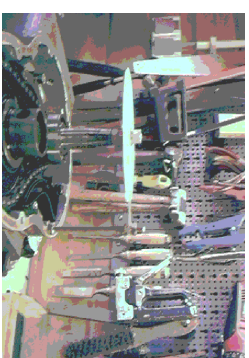
valve angles
(open/close)
and
ignition timing



- a M8*30mm allen bolt
- b 2*M8 washer
- c 2*M8 nut
- d 1*M10 washer
- e 1*fibre washer



note: the valve opening/closing degrees as mentioned are specs from BMW measured with the valve play set at 2 mm. These 2 mm cause a difference in degrees if measured at the crank-shaft



Ser rev 3: 15-12-2004
after an idea of Ron (Mono-Tech-Man pl88)